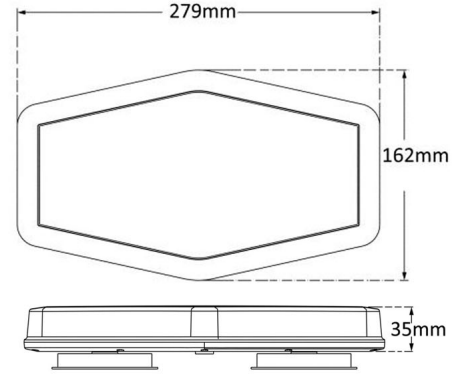


# COMPACT MINI BAR 113

(N/A)

Sync wire / Switch loom included



Product Code	Base Types	Net Weight KG	Gross Weight KG
VSWD-113-1-A	1 Bolt	0.55	0.83
VSWD-113M-A	Magnetic	0.73	1.06

## TECHNICAL SPECIFICATIONS

<b>Dimensions</b>	279 x 162 x 35 mm
<b>Operating Voltage</b>	10-30V
<b>Approval</b>	ECE R10, ECE R65, SAE
<b>IP Rating</b>	IP66
<b>Base Types</b>	1 Bolt, Magnetic
<b>Light Colour</b>	Amber
<b>Output</b>	48 x 1W
<b>No Flash Pattern</b>	26
<b>Warranty (Years)</b>	2
<b>Master Carton Qty</b>	12

